



DATA SHEET	7027 4005
ÖLFLEX® TRUCK SPIREX® 15-pole Classic	valid from : 01.01.2006

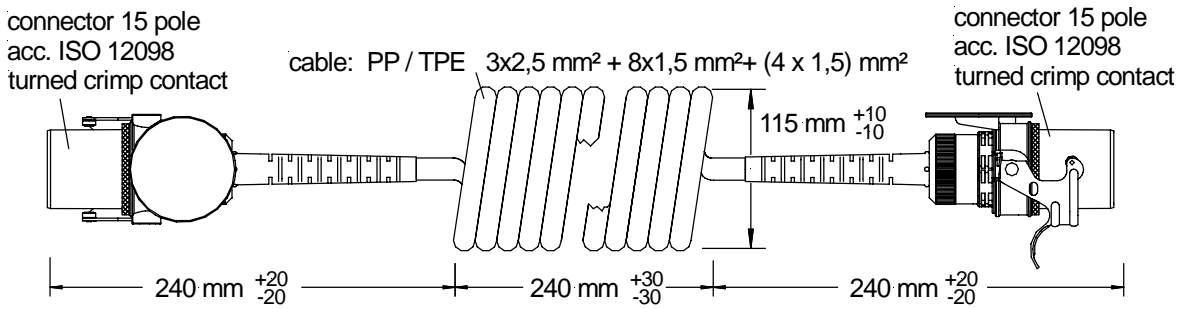


Application

The 15-pole spiral cable are used to connect tractor (truck) and trailer or semi-trailer with the 15-pole connector system according to ISO 12098.

The ÖLFLEX® TRUCK SPIREX® are fitted additionally with antikink sleeves. PP core insulation and TPE-E outer sheath material meet the high quality demands of the well-known 15-pole spirals of LAPP KABEL. This assures the very high number of cycles in the flexural fatigue test and high reset forces which all truck manufacturers demand. All spirals are in accordance to ISO 4141 and 6722. With the special ADR approval this spirals are also suitable to be used in vehicles aiming to transport hazardous goods.

Spiral cable



Assignment 1:1

1	1,5 mm ²	yellow	9	2,5 mm ²	orange
2	1,5 mm ²	green	10	1,5 mm ²	grey
3	1,5 mm ²	blue	11	1,5 mm ²	white/black
4	2,5 mm ²	white	12	1,5 mm ²	white/blue
5	1,5 mm ²	black	13	2,5 mm ²	white/red
6	1,5 mm ²	brown	14	1,5 mm ²	white/green
7	1,5 mm ²	red	15	1,5 mm ²	white/brown
8	1,5 mm ²	pink			

Working length: 2.250 mm
 Max. extension length: 4.000 mm
 Technical requirements acc. ISO 4141
 Tightness IP67 and IP69K acc. DIN 40050

Technical Data (cable)

Conductor	fine strands of plain copper acc. ISO 6722
Make-up	acc. ISO 6722 and ISO 4141
Core insulation	PP based
Core printing	coloured acc. ISO 4141
Outer sheath	TPE-E
Outer diameter	15,3 +/- 0,4 mm
Peak working voltage	50 V (not for power voltage purposes)
Test voltage	5000 V
Temperature range	-40°C up to +85°C
Testings	acc. ISO 6722 and ISO 4141, TÜ.EGG.008-94
Colour	black, RAL 9005

elaborated by: CS-SP-AFK A. Turan	Document: DB70274005EN	page 1 of 1
--------------------------------------	------------------------	-------------